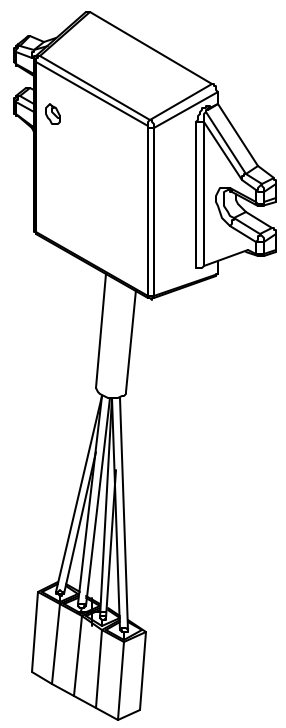
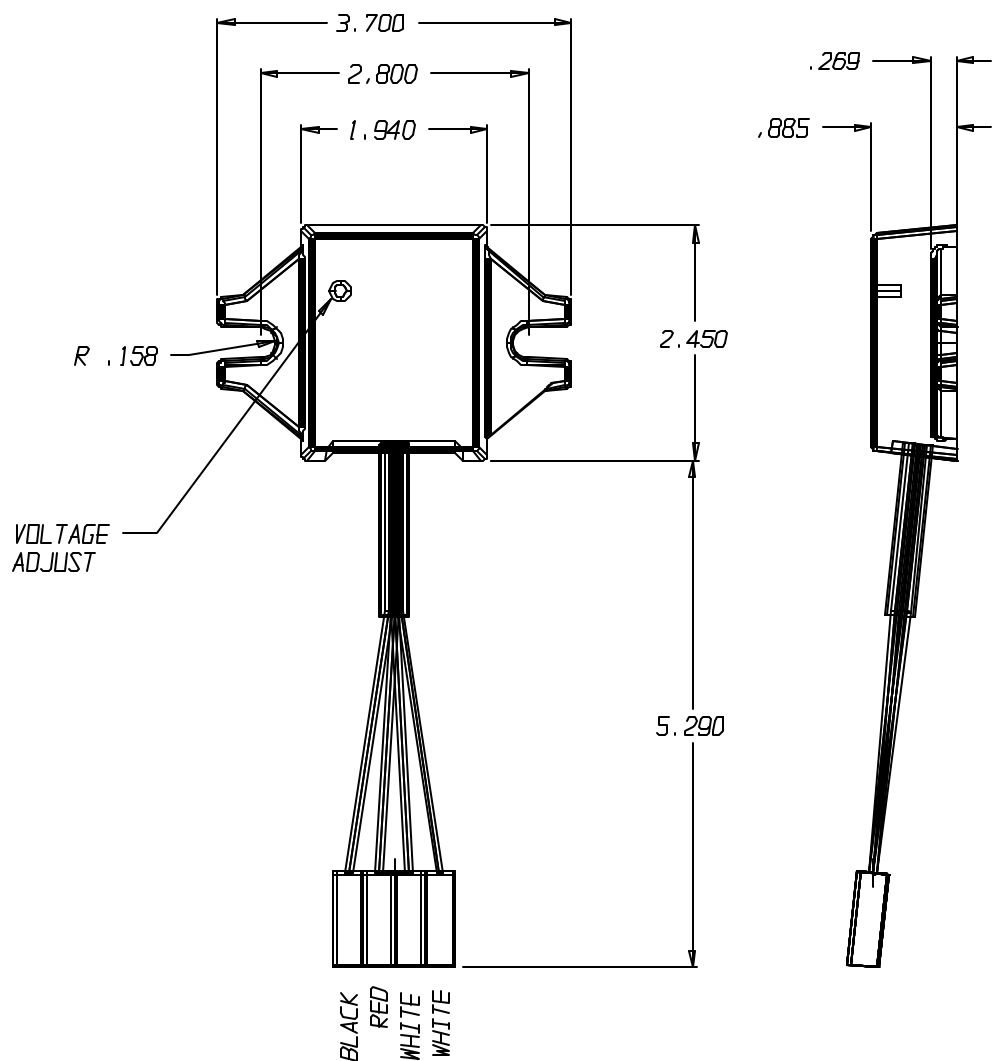


SYMBOL	REVISION	DRAWN	APPROV



NOTES:

- 1 IS 14 VOLTS NOMINAL (PMR1-14)  
-2 IS 28 VOLTS NOMINAL (PMR1-28)
- CONNECTIONS:  
 WHITE - A.C. INPUT FROM ALTERNATOR  
 WHITE - A.C. INPUT FROM ALTERNATOR  
 RED - D.C. OUTPUT (+)  
 BLACK - D.C. OUTPUT (-)
- MAX AMBIENT TEMPERATURE 120° F.
- MAX OUTPUT CURRENT 10 AMPS.

ITEM	-1		PART NO.	DESCRIPTION	
	USED ON			B & C Specialty Products	
	UNLESS OTHERWISE SPECIFIED			P.O. Box B, Newton, Kansas 67114	
	DIMENSIONS ARE IN INCHES TOLERANCES ARE: DECIMAL 0.0XX = ±0.03 DECIMAL 0.1XX = ±0.005 ANGLE = ±0.5 DEGREES			TITLE PM REGULATOR, 14 OR 28 VOLT	
ENGINEER	NAME	DATE	DRAWING NO. BC219	REVISION	
DRAWN	TH	11/23/99		DATE	
CHECKED			SCALE FULL	JOB NO.	
PROJECT				PAGE 1 OF 1	