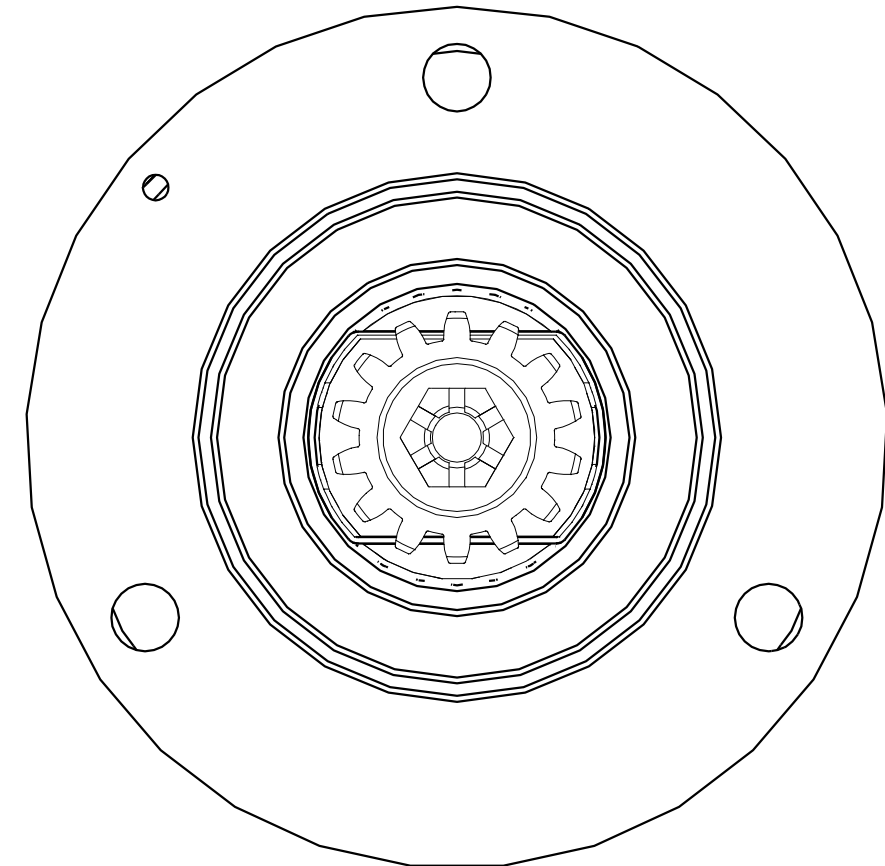
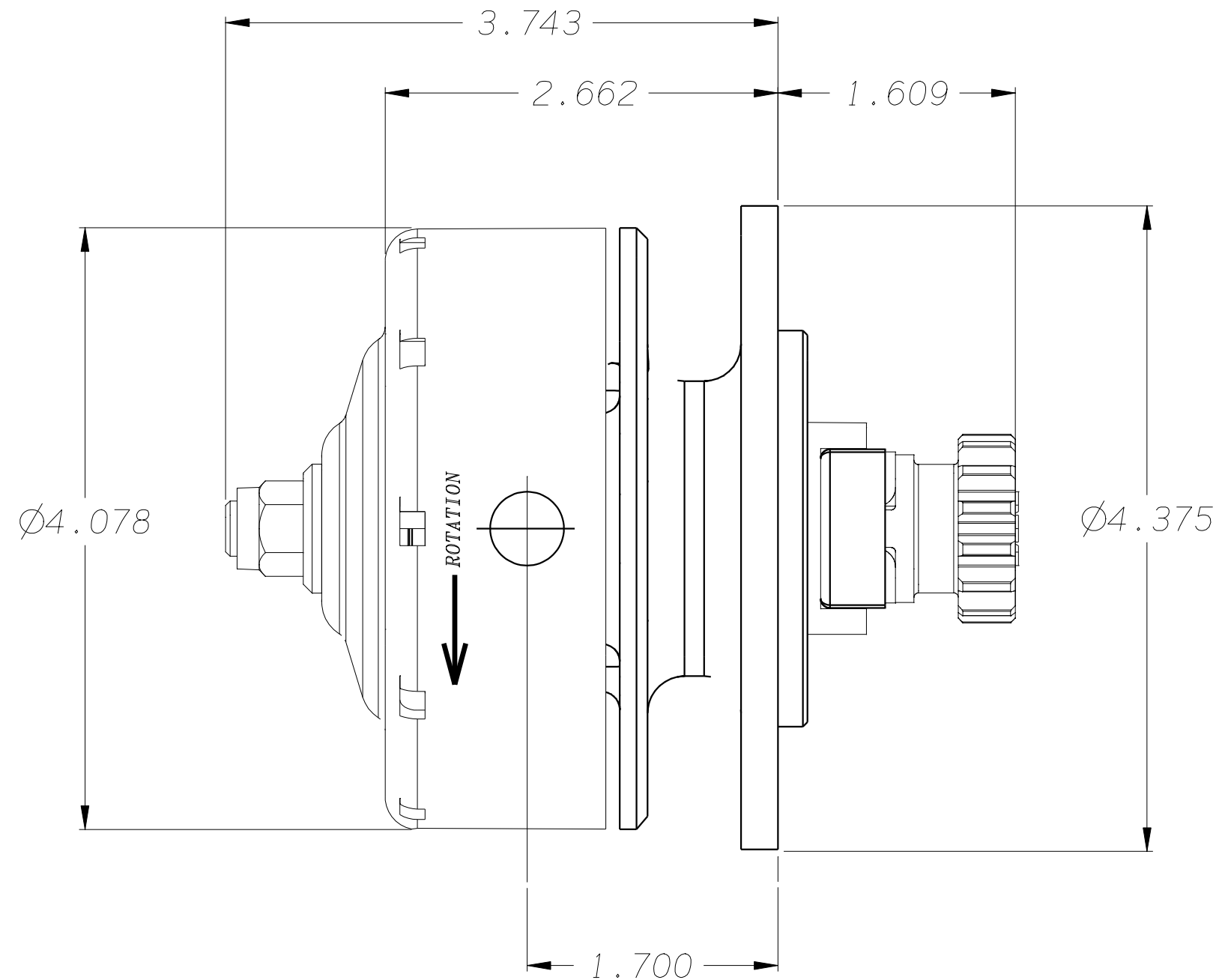


SYMBOL	REVISION	DRAWN	APPRVD
A	CORRECTED NOTE 4 DRAWING NUMBER	TH	7/19/06



- NOTES:
1. ALTERNATOR WEIGHT (WITH GEAR ASSEMBLY): 4.4 LBS  
WITH REGULATOR : 5.0 LBS
  2. CONTINENTAL DRIVE GEAR ASSEMBLY NOT INCLUDED
  3. SEE DRAWING "200G GEAR DRIVE ASSEMBLY" FOR PROPER INSTALLATION OF CONTINENTAL GEAR DRIVE
  4. SEE DRAWING 505-500 FOR CORRECT WIRING

ALTERNATOR RPM	OUTPUT AMPS
2250	2.0
2500	6.8
2750	11.8
3000	14.9
3250	18.0
3500	20.4
4000	23.8
4500	26.5
5000	29.1
5500	29.4
6000	30.4
6500	31.1

**THIS PART IS NOT STC'd OR PMA'd AND IS SOLD FOR AMATEUR BUILT AIRCRAFT ONLY**

ITEM	USED ON	-1	B & C Specialty Products P.O. Box B, Newton, Kansas 67114
	UNLESS OTHERWISE SPECIFIED		
DIMENSIONS ARE IN INCHES TOLERANCES ARE: DECIMAL 0.001 = ±0.002 DECIMAL 0.0001 = ±0.0005 ANGLES = ±0.5 DEGREES			TITLE BC433 ALTERNATOR OUTLINE
ENGINEER	TH	6/26/03	
DRAWN	TH	6/26/03	DRAWING NO. BC433
CHECKED			REVISION A DATE 7/19/06
PROJECT			SCALE FULL   JOB NO.   PAGE OF