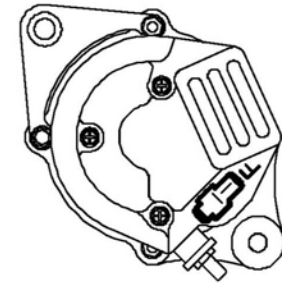
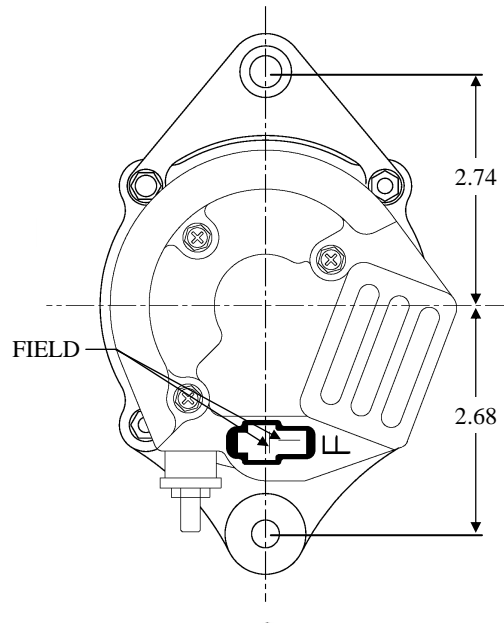
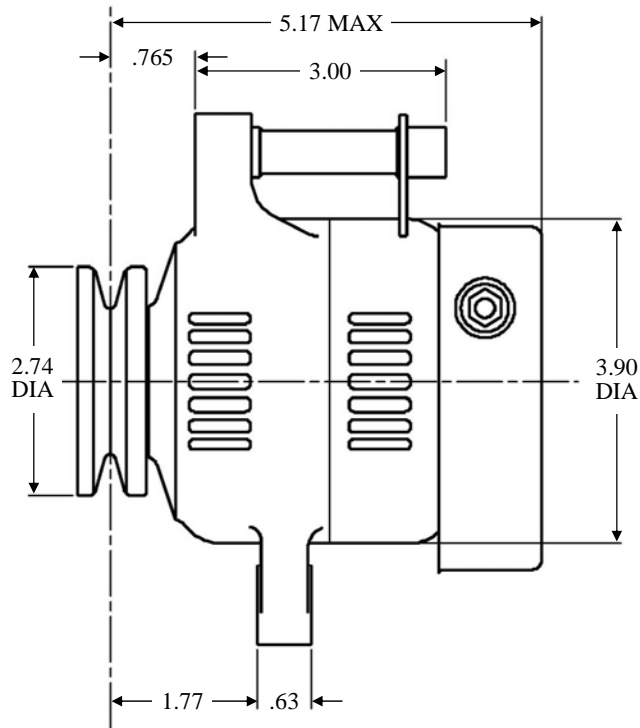


## BC400-2 ALTERNATOR



OUTPUT LEAD  
CONFIGURATION

**NOTES**

1. WEIGHT AND BALANCE INFORMATION:  
 ALTERNATOR: 6.1 LBS.  
 CASE MOUNT BRACKET (INCLUDES TENSION ARM & HARDWARE): 1.0 LBS.  
 BOSS MOUNT BRACKET (INCLUDES TENSION ARM & HARDWARE): 1.1 LBS.
2. EXTERNALLY-REGULATED
3. DYNAMICALLY-BALANCED ROTOR FOR GOOD BEARING AND BRACKET LIFE,  
 AND LONG-TERM RELIABILITY.

ALTERNATOR PERFORMANCE DATA		
RPM	OUTPUT AMPS (28v) (HOT)	OUTPUT AMPS (14v) (COLD)
3000	12	30
3500	20	35
4000	26	39
4500	31	42
5000	33	44
5500	35	46
6000	38	48
7000	41	49
8000	43	50
9000	44	50
10000	45	50