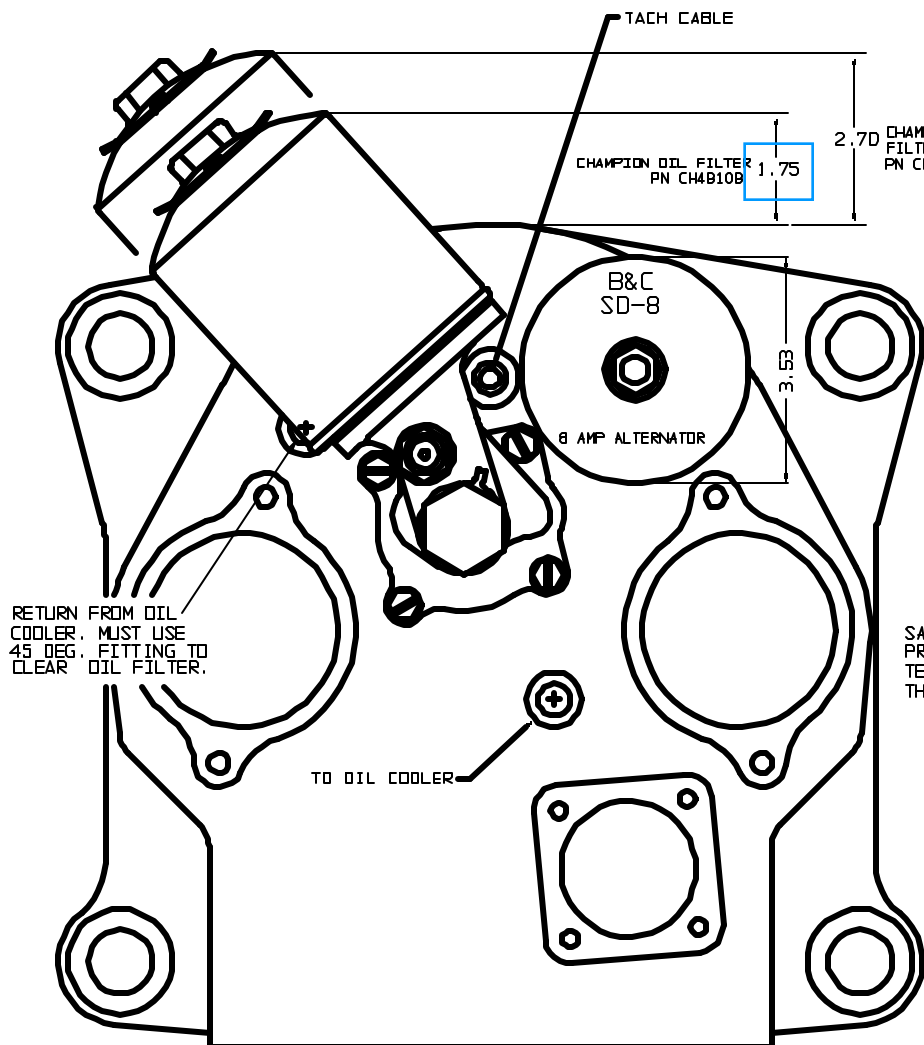


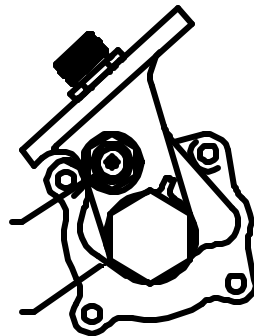
90° OIL FILTER ADAPTER FOR LYCOMING ENGINES

| SYMBOL | REVISION | DRAWN | APPROV |
|--------|-------------------------------|-------|--------|
| D | ORIGINAL RELEASE | TH | |
| E | ADDED -2 THRU -4 DASH NO.'S | TH | |
| F | ADDED STC APPLICABILITY NOTES | TH | |



YOUR OIL TEMP SENSOR GOES HERE. HOLE WILL ACCOMMODATE SENSORS UP TO 2.5" LONG.

YOUR THERMOSTATIC VALVE GOES HERE.

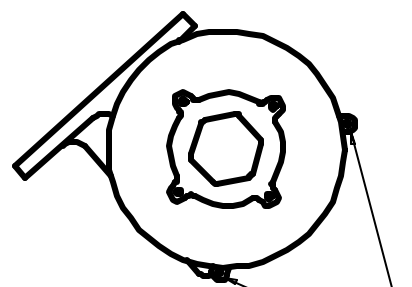
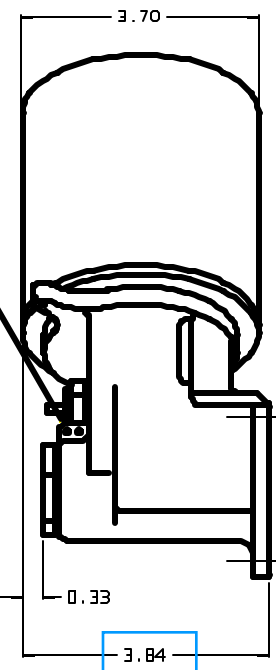


WITH STC \$450
WITHOUT STC \$395

ELIGIBLE LYCOMING ENGINE SERIES:

| | | |
|----------|----------|----------|
| 0-235 | HO-360 | HIO-540 |
| 0-290 | IO-360 | AEIO-540 |
| 0-320 | HIO-360 | IO-720 |
| IO-320 | AIO-360 | TIO-360 |
| AIO-320 | LIO-360 | 0-435 |
| AEIO-320 | AEIO-360 | GO-435 |
| LIO-320 | 0-540 | TIO-540 |
| 0-360 | IO-540 | LTIO-540 |

SAFETY WIRE HOLES PROVIDED FOR OIL TEMPERATURE SENSOR & THERMOSTATIC VALVE.



TWO SAFETY WIRE TABS ARE PROVIDED FOR OIL FILTER

.75", 1.4" AND 2.5" SPACER BLOCKS AVAILABLE TO SPACE OFA AWAY FROM ACCESSORY CASE TO CLEAR ENGINE MOUNTS

- WEIGHT: .96 LBS FOR ADAPTOR ONLY.
- USES CHAMPION FILTERS CH48108 OR CH48109.
- KIT INCLUDES OIL FILTER ADAPTOR, NEW FILTER, GASKET, NEW WASHERS FOR OIL TEMP SENSOR AND THERMOSTATIC VALVE, AND 4 NEW LYCOMING MOUNTING BOLTS WITH LOCK WASHERS.
- 3-D MACHINED FROM A SOLID BILLOT OF ALUMINUM FOR STRENGTH, ALSO THERE IS NO POROSITY AS IN A CASTING

| ITEM | WEIGHT |
|---------------------------------------|----------|
| LYCOMING OIL SCREEN HOUSING w/ SCREEN | .74 LBS |
| LYCOMING OIL FILTER ADAPTER | .87 LBS |
| B&C 90° OFA VERN-A-THERN | .96 LBS |
| FILTER CH48108 | .29 LBS |
| FILTER CH48019 | 1.29 LBS |
| .75" SPACER | 1.47 LBS |
| 1.4" SPACER | .25 LBS |
| 2.5" SPACER | .49 LBS |
| | 1.18 LBS |

| REV | DATE | DESCRIPTION |
|-----|-----------|--|
| 1 | 700-100-4 | TOP ASS'Y, OIL FILTER ADAPTER W/ 2.5" SPACER |
| 2 | 700-100-3 | TOP ASS'Y, OIL FILTER ADAPTER W/ 1.4" SPACER |
| 3 | 700-100-2 | TOP ASS'Y, OIL FILTER ADAPTER W/ .75" SPACER |
| 4 | 700-100-1 | TOP ASS'Y, OIL FILTER ADAPTER W/ NO SPACER |
| | PART NO. | DESCRIPTION |

| | | | |
|--|---------|--|-------------|
| UNLESS OTHERWISE SPECIFIED | | B & C Specialty Products P.O. Box 8, Newton, Kansas 67114 | |
| DIMENSIONS ARE IN INCHES TOLERANCES ARE: DECIMAL 0.001 ± 0.002 DECIMAL 0.005 ± 0.002 ANGLES ± 0.5 DEGREE | | TITLE OIL FILTER ADAPTER FOR LYCOMING ENGINES | |
| DESIGNED BY | DATE | DRAWING NO. | REVISION |
| BLS | 5-24-05 | BC700 | F |
| DRAWN BY | DATE | SCALE | PAGE 1 OF 1 |
| BLS | 5-24-05 | | |
| CHECKED BY | | | |
| PROJECT | | | |